

Abnehmbare Anhängerkupplung mit Hebelsystem

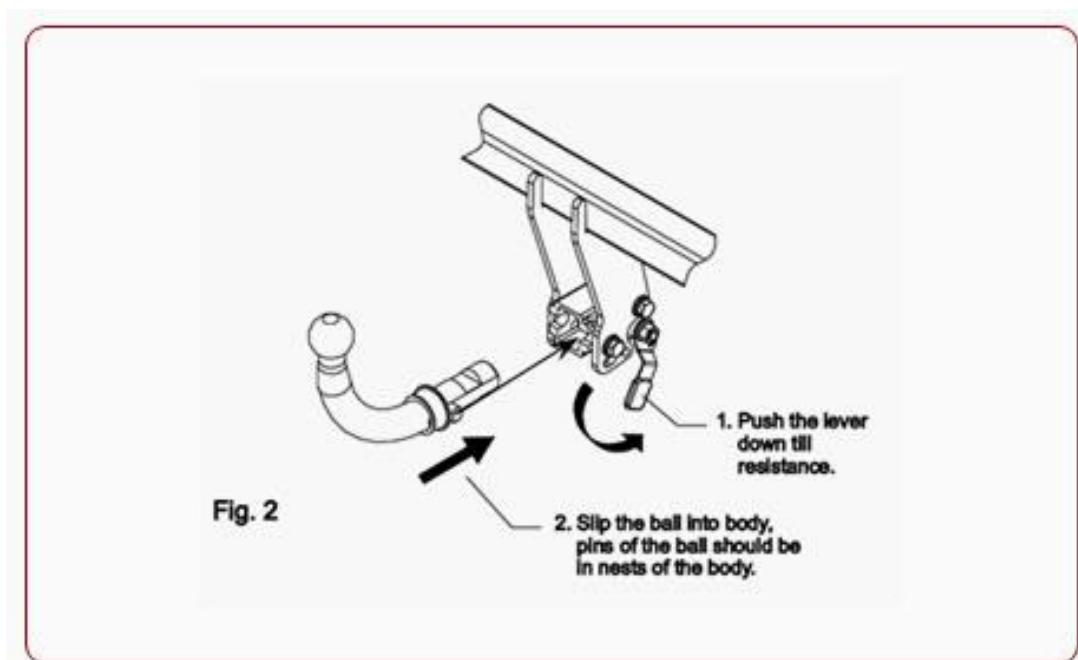
Quick release towbar

Body install:

1. Fix body of the mechanism to brackets by bolts M12x25mm according to figure 1.

Ball fastening:

1. To install the ball in mechanism push the lever down till resistance as show figure 2.



2. Slip the ball into body in this way so pins of the ball will be in nests of the body.
3. Let go the lever. It should return to initial position, this means correctly installed ball in the mechanism.
4. Put safety pin through lever's hole and bracket's hole. Correctly placed safety pin show figures 3 and 3a.

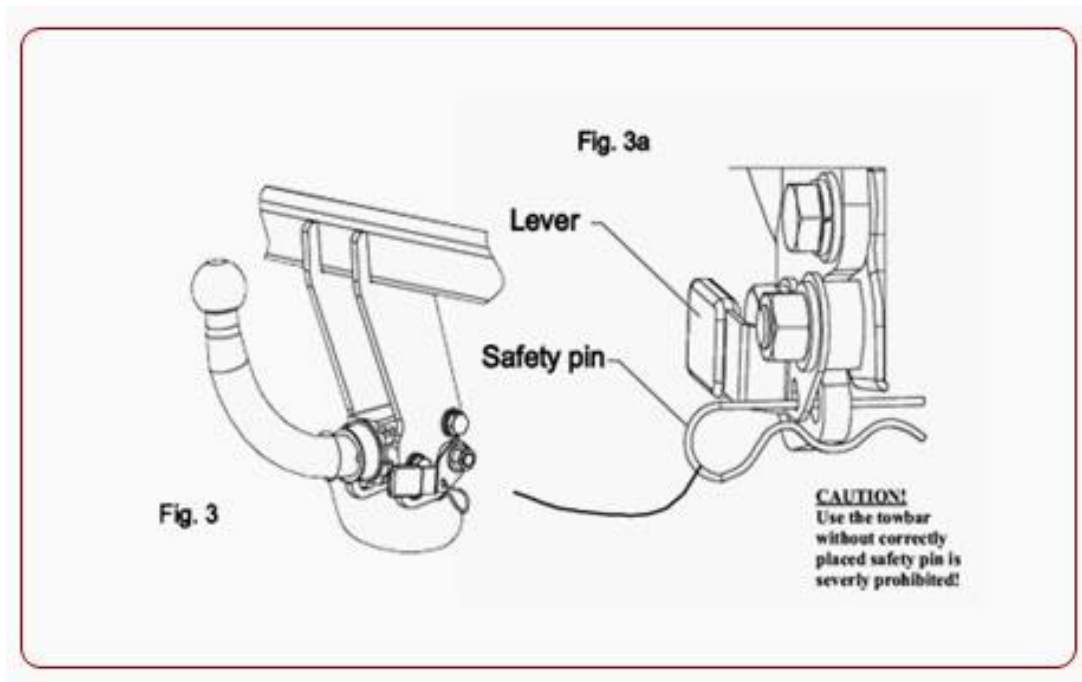
Pictures and copyright © AHAKA

Anhängerkupplung – günstig online kaufen!

Online Shop – towbars online!

WWW.AHK-ONLINESHOP.EU

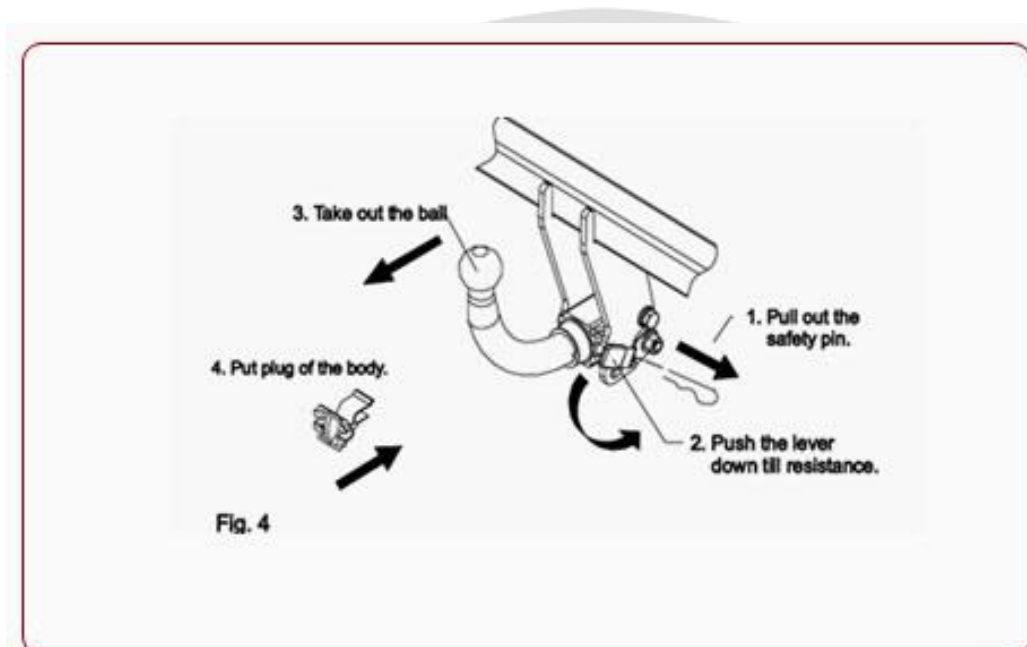
THE SHOP WITH CONFIDENCE!



Ball

unfastening:

1. To unfasten the ball take out the safety pin.
2. Push the lever down till resistance.
3. With fast move take out the ball. Let go the lever. It should return to initial position.
4. Put plug into the body. Plugs are in accessories of the towbar with quickly demountable ending.



Pictures and copyright © AHAKA

Anhängerkupplung – günstig online kaufen!

Online Shop – towbars online!

WWW.AHK-ONLINESHOP.EU

THE SHOP WITH CONFIDENCE!